



PoleStar®

All-Weather Pole and Column Adapter

This family of all-weather, load rated components provide a strong foundation for mounting and aiming loudspeakers and other objects outdoors to poles and columns. The Polestar system is comprised of various length support arms, pole adapters, band kits and dual adapters. Everything needed at the job site is available from stock. Starting with the popular pole adapters, the following describes all the components available to complete your loudspeaker, video camera or video display installation.

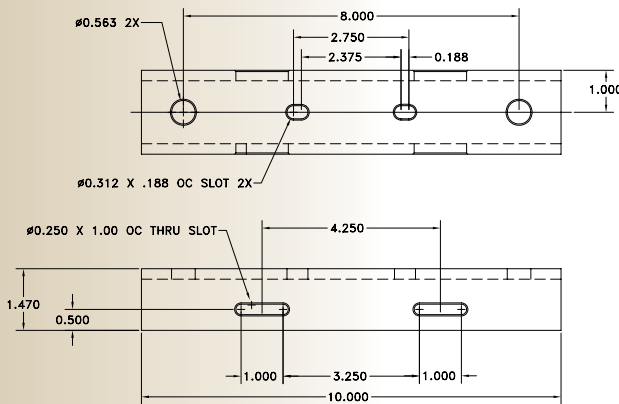
INSTALLERS TAKE NOTE: Always secure mounted objects to the mounting structure with safety cables.

POLE ADAPTER - 2-3/8" TO 6" IN DIAMETER

For 6"/154mm diameter down to 2-3/8" poles and columns, use the PM-Mount-6Down. This all-stainless, natural finish, mount supports up to 150 lb./68 Kg, a vertical load with a 5:1 design factor and accommodates the PM Series Support Arm and comes with hardware to mount the support arm.

PM-MOUNT-6DOWN

WEIGHT: 3 lb./1.4 Kg

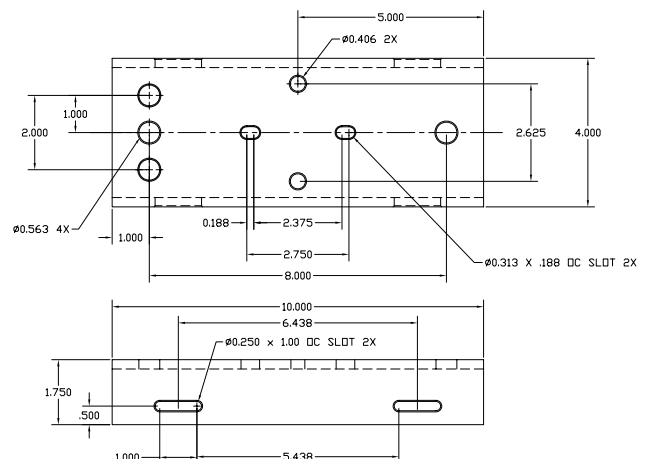


POLE ADAPTER - 6" DIAMETER AND LARGER

For 6"/154mm diameter *and larger* poles and columns, use the PM-Mount-6UP. This all-stainless, natural finish, mount supports up to 300 lb./68 Kg, a vertical load with a 5:1 design factor and accommodates the PM Series Support Arm and Dual Adapter and includes hardware for their attachment. There are three standard permanent band kits available in different lengths and are sold separately. Custom lengths are also available.

PM-MOUNT-6UP

WEIGHT: 8 lb./3.6 Kg



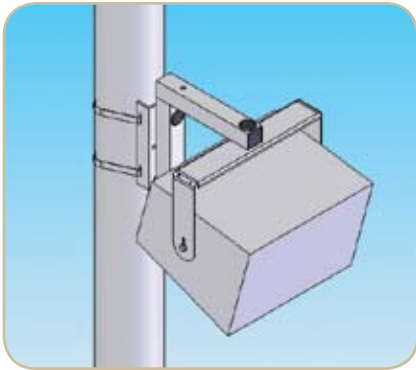
A division of:
ADAPTIVE TECHNOLOGIES GROUP

1635 E. Burnett Street
Signal Hill, CA 90755 USA
PH: 562.424.1100 FX: 562.424.3520

www.allenproducts.com

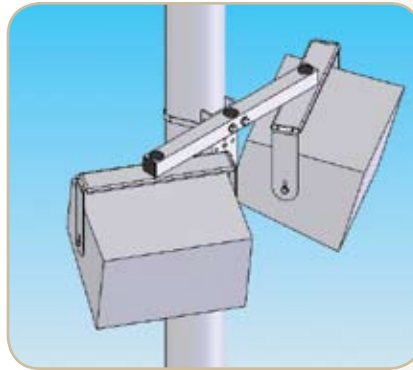
PoleStar®

All-Weather Pole and Column Adapter



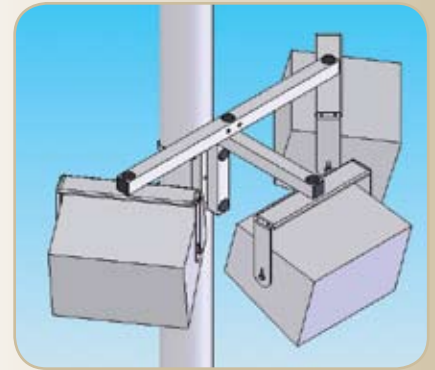
SINGLE LOUDSPEAKER INSTALLATION FOR 2-3/8" POLES AND LARGER

This type of installation assumes that the selected loudspeaker come with its own yoke style mounting arm. The installation then further requires a Support Arm, a Pole Adapter and a Band Kit. Each of these components is constructed of stainless steel material and come with the required assembly hardware. If a yoke arm is not supplied with the selected loudspeaker, contact us at custserv@allenproducts.com.



DUAL LOUDSPEAKER INSTALLATION FOR 6" DIAMETER POLES & LARGER

This type of installation assumes that the selected loudspeakers come with their own yoke style mounting arms. The installation then further requires a Dual Adapter arm, the larger Pole Adapter and a Band Kit. Each of these components are constructed of stainless steel material and come with the required assembly hardware. If a yoke arm is not supplied with the selected loudspeakers, contact us at custserv@allenproducts.com.



THREE LOUDSPEAKER INSTALLATION FOR 6" DIAMETER POLES & LARGER

This type of installation assumes that the selected loudspeakers come with their own yoke style mounting arms. The installation then further requires a Support Arm, a Dual Adapter arm, the larger pole adapter and a band kit. Each of these components are constructed of stainless steel material and come with the required assembly hardware. If a yoke arm is not supplied with the selected loudspeakers, contact us at custserv@allenproducts.com.

STANDARD FEATURES:

- Mounts to round surfaces including poles and columns
- All stainless steel construction
- Load rated components
- Components use common hole patterns
- Cosmetic trim components included
- Job-site ready

SPECIFICATIONS:

Material: Stainless steel alloy
Finish: Natural passivated



A division of:
ADAPTIVE TECHNOLOGIES GROUP
 1635 E. Burnett Street
 Signal Hill, CA 90755 USA
 PH: 562.424.1100 FX: 562.424.3520

www.allenproducts.com

WARNING: Mounting and/or suspension of audio and video equipment requires experienced professionals. Improperly installed equipment can result in property damage, personal injury and/or liability to the installing contractor.



MADE IN THE USA

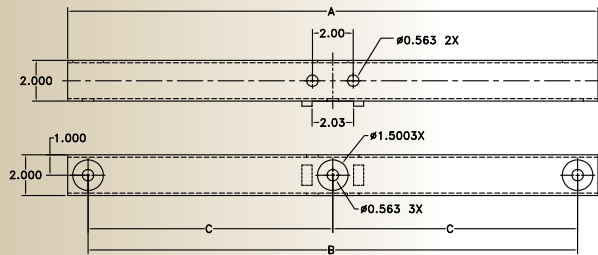
ALWAYS USE SAFETY CABLES.

PoleStar®

All-Weather Pole and Column Adapter

OPTIONAL COMPONENTS:

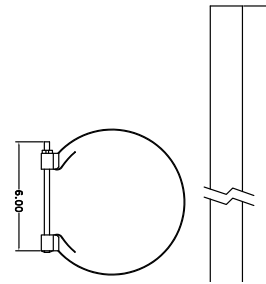
PM Series Dual Adapter is an innovative way to mount and aim two loudspeakers and other objects (of equal weight and mass) from the same Support Arm or the larger Pole Adapter. The Dual Adapter attaches from its center and is available in three standard lengths, 24"/610mm, 36"/915mm and 48"/1220mm. They are produced from rugged structural stainless steel tubing in a natural finish and support up to the stated working load of the pole adapter. Decorative hole-covers provide a finished look and hardware is included to secure it to the support arm and pole adapter. The yoke and U-Bracket assemblies are not included.



Model	Weight	A	B	C
PM-DA-24	7.2 lb./3.3 Kg	26"/660mm	24"/610mm	12"/305mm
PM-DA-36	8.5 lb./3.9 Kg	38"/965mm	36"/914mm	18"/457mm
PM-DA-48	9.8 lb./4.5 Kg	50"/127cm	48"/122cm	24"/61cm

Working load limits: See selected PM mount

PM Band Strap Kits. Three different length permanent band kits are available for the PM-Mount-6UP and -6DOWN from stock in 30", 60", 90" lengths. Choose from the PM-Band-30, PM-Band-60 and PM-Band-90. Each kit contains 2 stainless steel bands in the length specified and two strap clamp assemblies. These kits, when used per instructions will support the stated working load of the pole adapter.



for 6"/160mm pole diameters and less. **(PM-Band-30)**
 for 15"/380mm pole diameters and less. **(PM-Band-60)**
 for 24"/610mm pole diameters and less. **(PM-Band-90)**

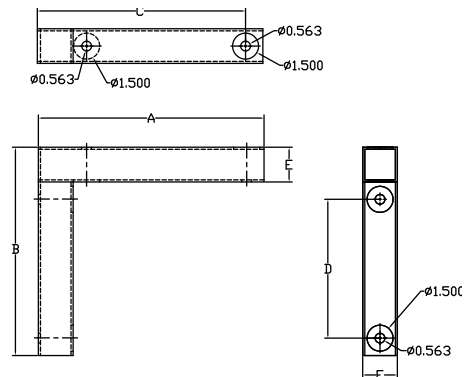
Model	Weight	A	B
PM-Band-30	1.5 lb./0.7 Kg	30"/76.2cm	.75/19mm
PM-Band-60	2.0 lb./0.9 Kg	60/152.4cm	.75/19mm
PM-Band-90	2.5 lb./1.1 Kg	90/228.6cm	.75/19mm

Working load limits: See selected PM mount

PM Series Support Arm is available in three extension lengths, 12"/305mm, 18"/457mm and 24"/610mm long. These arms are produced from rugged structural stainless steel tubing in a natural finish, and support the stated working load of the pole adapter. Decorative hole covers provide a finished look and hardware is included to secure Yoke and U-Bracket style mounts.

Model	Weight	A	B	C	D
PM-SA-12	6.5 lb./3 Kg	13"/330mm	12"/305mm	11.25"/286mm	8"/203mm
PM-SA-18	7.5 lb./3.4 Kg	19"/486mm	12"/305mm	17.25"/438mm	8"/203mm
PM-SA-24	8.5 lb./4 Kg	25"/635mm	12"/305mm	23.25"/590mm	8"/203mm

Working load limits: See selected PM mount



A division of:
ADAPTIVE TECHNOLOGIES GROUP
 1635 E. Burnett Street
 Signal Hill, CA 90755 USA
 PH: 562.424.1100 FX: 562.424.3520

www.allenproducts.com