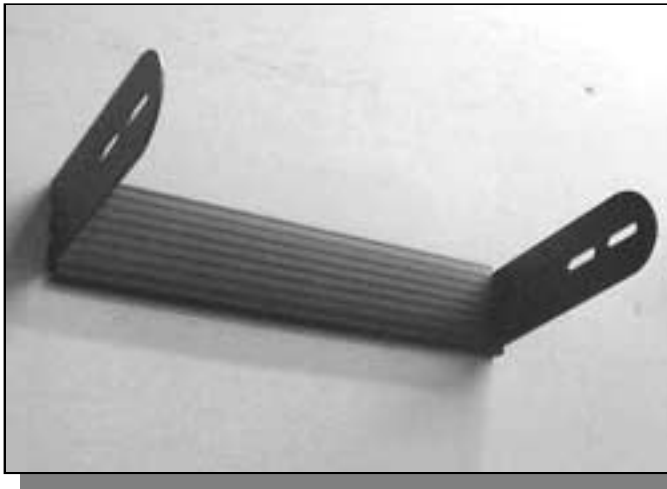


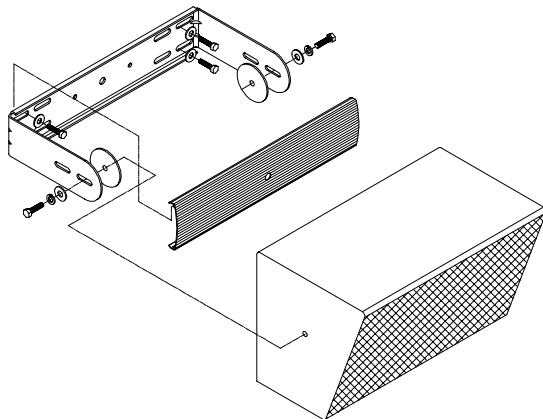
Cover Plate

Snap-On U-Bracket Cover



The U-Bracket Cover Plate is a cosmetic snap-on cover that hides the wires and fasteners associated with speaker installations. A hole can be drilled through the cover plate to deliver the signal wire close to the speaker's terminal block for the cleanest installation.

The cover plate is designed to quickly snap over the base of the bracket. Because the cover plate's center area requires being depressed before removal, a degree of theft deterrent is presented.



Specification:

Material: Extruded rigid paintable plastic
 Finish: Serrated and flat finish
 Color: Black
 Pack Count: 1 unit/bag

Cross Reference Chart

U-Bracket Model #	Cover Plate Model #	Length (Inches/Metric)
2-0600	CP-0600	11.25/286
2-0750	CP-0750	15.00/381
2-0760	CP-0760	15.00/381
2-0900	CP-0900	17.00/432
2-0950	CP-0950	17.75/451
2-0980	CP-0980	18.50/470
2-1000	CP-1000	19.25/489
2-1050	CP-1050	20.25/514
2-1060	CP-1060	23.25/591
2-1100	CP-1100	24.06/611
2-1150	CP-1150	21.50/546
2-1200	CP-1200	30.64/778
2-1230	CP-1230	28.75/730
2-1290	CP-1290	44.38/1127
2-1300	CP-1300	25.13/638
2-1320	CP-1320	26.50/673
2-1350	CP-1350	28.16/715

C-Bracket Model #	Cover Plate Model #	Length (Inches/Metric)
2-0900C	CP-0900	17.00/432
2-1000C	CP-1000	19.25/489
2-1050C	CP-1050	20.25/514
2-1300C	CP-1300	25.13/638
2-1350C	CP-1300C	28.16/715

A-Bracket Model #	Cover Plate Model #	Length (Inches/Metric)
2-0925	CP-0900	17.00/432
2-1025	CP-1000	19.25/489
2-1075	CP-1050	20.25/514
2-1375	CP-1300	25.13/638
2-1375	CP-1350	28.16/715



Allen Products Company Inc.

1635 E. Burnett Street
 Signal Hill, CA. 90806 USA
 Tel: (562) 424-1100 Fax: (562) 424-3520
 Web Site: www.allenproducts.com