

MultiMount™

All Weather Pan & Tilt Speaker Wall Mount



Technomad Vernal 15 Loudspeaker shown

The MultiMount 8 is an indoor/outdoor speaker mount that attaches loudspeakers, weighing up to 15 lbs., to walls and other structural surfaces. Independent pan and tilt adjustments help direct sound into the desired area. A separate feature orients speaker cabinets clockwise into either a horizontal or vertical position.

The MultiMount 8 adapts to loudspeakers with standard single and two hole

mounting patterns and is produced from aluminum and other weather resistant materials which makes this an ideal mount for use in outdoor applications such as restaurants, theme parks, hotel pool side areas and other outdoor installations.

Black, white and natural aluminum colors are available from stock. A decorative cover plate snaps over the wall plate, masking the hardware and enhancing the cosmetics of the installation.

SPECIFICATIONS:

Material:	Aluminum alloy
Finish:	Anodize/powder coat
Color:	Black, white and aluminum
Working load limit:	15 lbs. (6.8 kg) max
Design factor:	10:1 ratio
Net weight:	.50 lbs (.23 Kg) each
Shipping weight:	1.2 lbs (.55 Kg) pair
Pack count:	2 units/carton

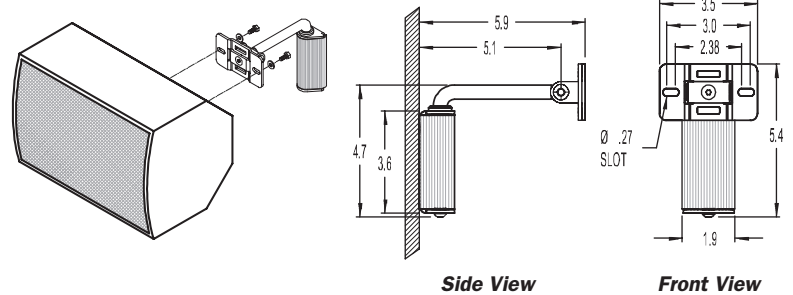
OPTIONAL ACCESSORIES:

- PoleStar™ pole adapter
- Safety cables (many standard lengths)

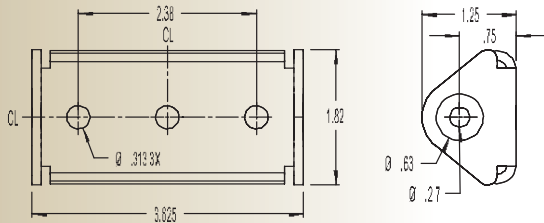
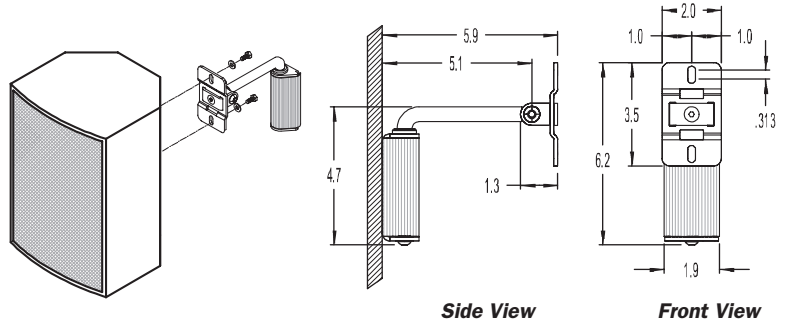
STANDARD FEATURES:

- Weather resistant for indoor and outdoor use
- Decorative snap-on cover plate
- Separate pan, tilt and clockwise adjustments
- Mounts speakers to walls, ceilings and from overhangs
- Accommodates standard single and two hole mounting patterns

HORIZONTAL ORIENTATION:



VERTICAL ORIENTATION:



Wall Mounting Plate



A division of:
ADAPTIVE TECHNOLOGIES GROUP
 1635 E. Burnett Street
 Signal Hill, CA 90755 USA
 PH: 562.424.1100 FX: 562.424.3520

www.allenproducts.com

WARNING: Mounting and/or suspension of audio and video equipment requires experienced professionals. Improperly installed equipment can result in property damage, personal injury and/or liability to the installing contractor.

MADE IN THE USA

ALWAYS USE SAFETY CABLES.