

PoleStar®

Pole and Column Adapter

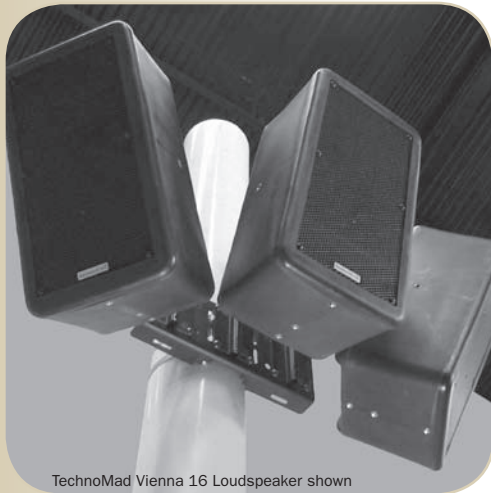
This is a universal pole adapter that adapts the MultiMount and U-Series speaker mounts to poles and columns using stainless steel sign banding.

When mounted vertically, the PoleStar® grips to 6" and larger diameter poles and columns. When mounted horizontally, it grips to 4" and larger diameter poles and columns.

PoleStar is constructed from tough alloy steel to assure reliable permanent installations. It comes in a standard black paint finish over zinc plate undercoating for indoor and outdoor use. Band kits are available separately.



OAP NF-80 Loudspeaker shown



TechnoMad Vienna 16 Loudspeaker shown



Renkus Heinz TRC 81 Loudspeaker shown

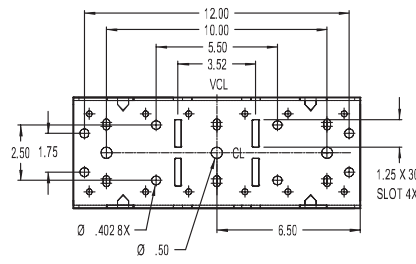
STANDARD FEATURES:

- Adapts MultiMount speaker mounts to poles and columns
- Adapts many U-Series speaker mounts to poles and columns
- Adapts SocketMounts to poles and columns
- Adapts Steerables wall mounts to pole and columns
- Zinc plate undercoating for weather resistance
- Available in black paint finish
- Universal hole pattern fits many yoke mounts, speaker mounts and U-Brackets

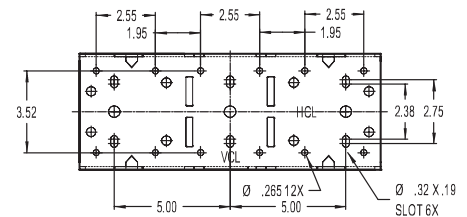
SPECIFICATIONS:

Material:	Structural steel alloy
Finish:	Powder coat paint over zinc plate
Colors:	Black powder coat
Working load limit:	75 lbs./34 kg. total accumulated load
Design factor:	10:1 ratio
Net weight:	3 lbs./1.4 kg.
Shipping weight:	4 lbs./1.8 kg.
Pack count:	1/carton

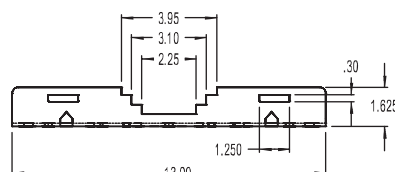
DIMENSIONS:



Front View



Side View



Front View



A division of:
ADAPTIVE TECHNOLOGIES GROUP

1635 E. Burnett Street
Signal Hill, CA 90755 USA
PH: 562.424.1100 FX: 562.424.3520

www.allenproducts.com

PoleStar®

Pole and Column Adapter

STANDARD BAND KITS:

for 6"/160mm pole diameters and less.

(PM-BAND-20)

for 9"/228mm pole diameters and less.

(PM-BAND-30)

for 19"/482mm pole diameters and less.

(PM-BAND-60)

for 28"/711mm pole diameters and less.

(PM-BAND-90)

All band kits include two stainless steel straps and fasteners.

Types of Installations:

U-SERIES INSTALLATION:

Most Allen U-Series brackets can be installed vertically and horizontally to the PA-010, which provides one axis of speaker rotation.

Total load not to exceed 75 lbs./34 Kg.

MULTIMOUNT™ INSTALLATION: SINGLE CABINET

MultiMounts MM-008, MM-010, MM-016 and MM-022 adapt to the PA-010 Pole Adapter in a vertical orientation for single speaker installations.

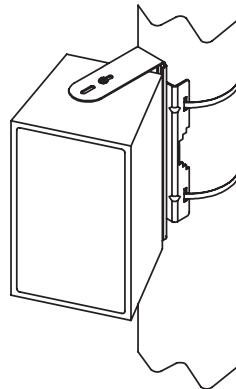
Total load not to exceed 75 lbs./34 Kg.

MULTIMOUNT™ INSTALLATION: ARRAYED PATTERN

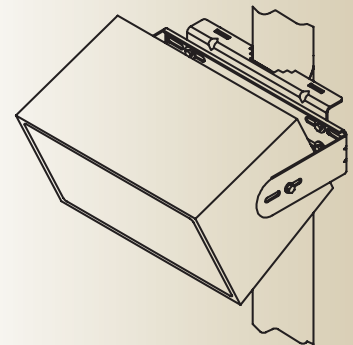
Speakers can be arrayed using one, two or three MM-008, MM-010 or MM-016 MultiMounts in the horizontal orientation.

The MultiMount™ can be arrayed up to 360° by placing additional PoleStar® adapters around the pole or column

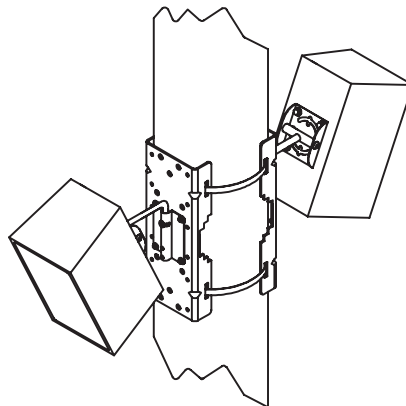
Total load not to exceed 75 lbs./34 Kg



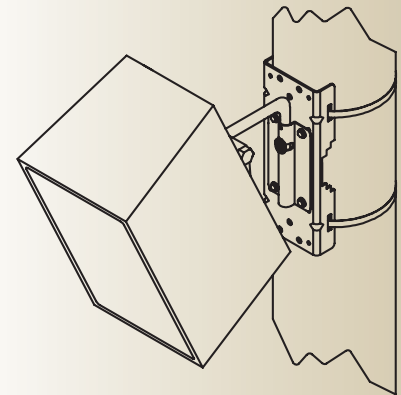
**Vertical U-Series installation
with pan adjustment**



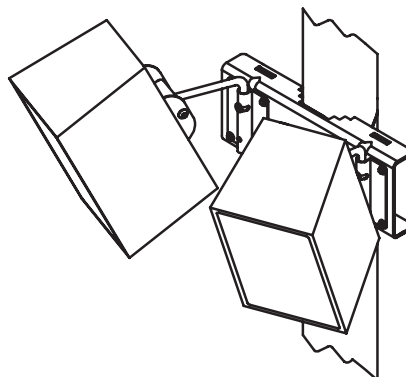
**Horizontal U-Series installation
with down tilt adjustment**



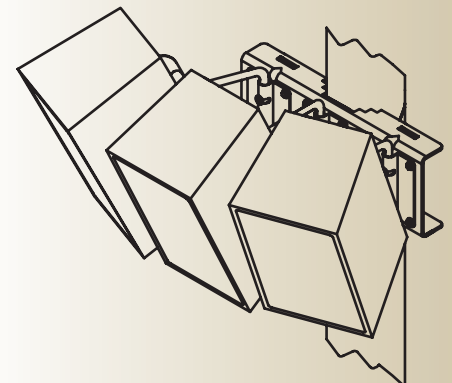
**MM-008, MM-010 or MM-016
Vertical installation with pan
and tilt adjustment**



**Vertical MM-022 installation
with pan and tilt adjustment**



**Two speaker horizontal array
MM-008, MM-010 or MM-016**



**Three speaker horizontal array
MM-008, MM-010 or MM-016**



A division of:
ADAPTIVE TECHNOLOGIES GROUP
1635 E. Burnett Street
Signal Hill, CA 90755 USA
PH: 562.424.1100 FX: 562.424.3520

www.allenproducts.com

WARNING: Mounting and/or suspension of audio and video equipment requires experienced professionals. Improperly installed equipment can result in property damage, personal injury and/or liability to the installing contractor.