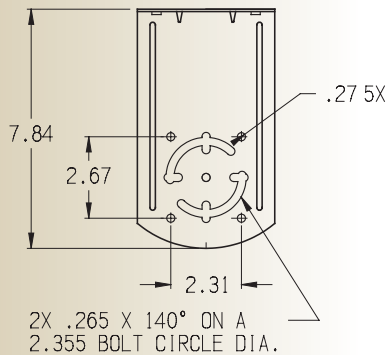
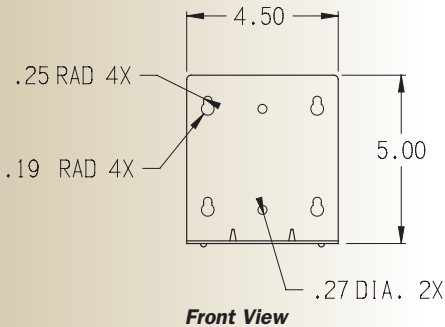




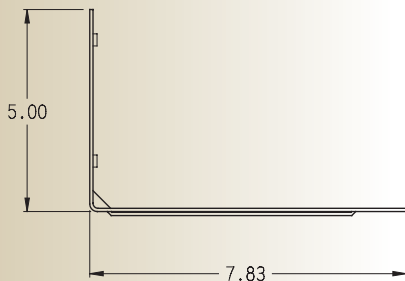
12 lbs. (5.5 Kg) Working Load Limit



Top View



Front View



Side View

SwivelMount™

Mounting Bracket

SwivelMount™ provides a basic and economical wall mounting platform with an added swivel feature that allows speakers and other objects to be rotated from side to side. Radius slots allow up to 12 lbs./ 5.5 Kg objects to be base mounted then aimed into position before tightening. SwivelMount™ is decorative, secure and makes installations fast, easy and permanent.

SwivelMount™ secures to walls quickly

through the use of keyhole slots. Speaker and other objects are supported and secured underneath by a series of radius slots and holes which accommodate most mounting hole patterns.

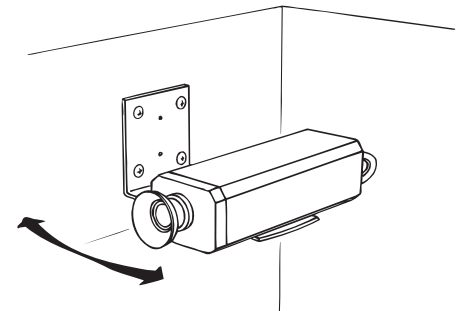
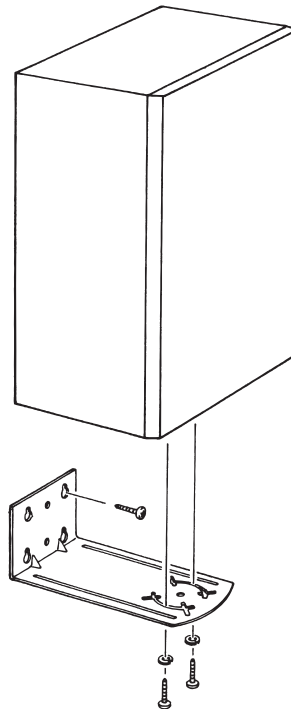
SwivelMount™ is constructed of rugged alloy steel plate then coated with a tough, powder coat paint finish. The wall mounting surface accepts standard 3/16" and 5mm fastening hardware. Options include black or white paint finish and safety cables.

STANDARD FEATURES:

- Keyhole slots for fast installations
- Conforms to standard mounting hole patterns
- Side to side rotation up to 140° (horizontal)
- Safely supports up to 12 lbs. (5.5 Kg)
- Rugged steel construction with stiffening ribs
- Powder-coat paint finish

SPECIFICATIONS:

Material:	Structural steel alloy
Finish:	Powder coat
Color:	Black and white
Weight:	1.5 lbs. / .7 Kg.
Length:	7.84 inches
Height:	5.00 inches
Width:	4.50 Inches
Swivel rotation:	140° (horizontal)
Working load:	12 lbs. Maximum
Pack count:	2 units/carton



A division of:
ADAPTIVE TECHNOLOGIES GROUP
1635 E. Burnett Street
Signal Hill, CA 90755 USA
PH: 562.424.1100 FX: 562.424.3520

www.allenproducts.com

WARNING: Mounting and/or suspension of audio and video equipment requires experienced professionals. Improperly installed equipment can result in property damage, personal injury and/or liability to the installing contractor.



MADE IN THE USA

ALWAYS USE SAFETY CABLES.