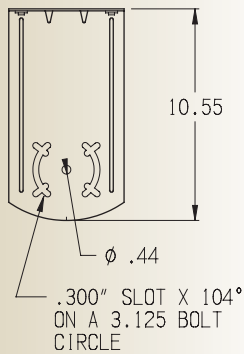
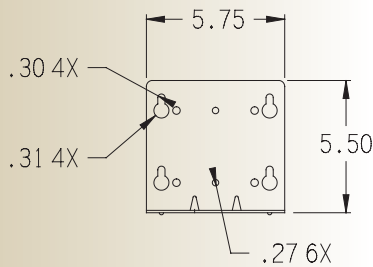


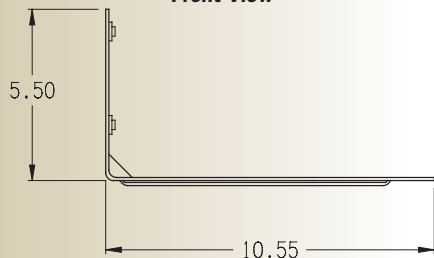
**25 lbs. (11.3 Kg) Working Load Limit**



**Top View**



**Front View**



**Side View**

## SwivelMount™ Mounting Bracket

SwivelMount™ provides a basic and economical wall mounting platform with added swivel feature that allows speakers and other objects to be rotated from side to side. Radius slots allow up to 25 lbs./11.3 Kg. to be base mounted then aimed into position before tightening.

SwivelMount™ is decorative, secure and makes installations fast, easy and permanent. SwivelMount™ secures to walls

quickly through the use of keyhole slots. Speaker and other objects are supported and secured underneath by a series of radius slots and holes that accommodate most mounting hole patterns.

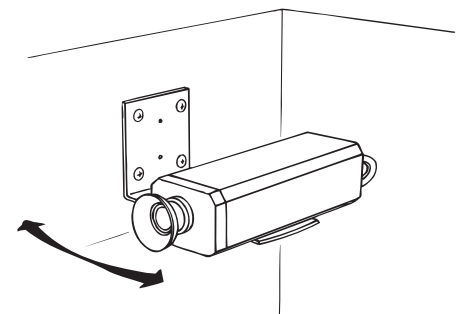
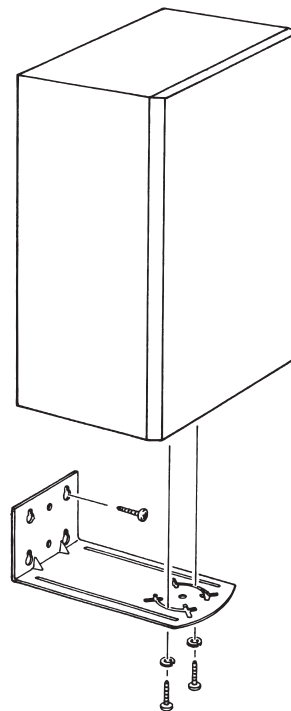
SwivelMount™ is constructed of rugged alloy steel plate then coated with a tough, powder coat paint finish. The wall mounting surface accepts standard 3/8" and 10mm fastening hardware.

### STANDARD FEATURES:

- Keyhole slots for fast installations
- Conforms to standard mounting hole patterns
- Side to side rotation up to 140° (horizontal)
- Safely supports up to 25 lbs. (11.3 kg)
- Rugged steel construction with stiffening ribs
- Powder-coat paint finish

### SPECIFICATIONS:

<b>Material:</b>	Structural steel alloy
<b>Finish:</b>	Powder coat
<b>Color:</b>	Black and white
<b>Weight:</b>	3.5 lbs./1.6 Kg.
<b>Length:</b>	10.55 inches
<b>Height:</b>	5.50 inches
<b>Width:</b>	5.75 Inches
<b>Swivel rotation:</b>	140° (horizontal)
<b>Working load:</b>	25 lbs.(11.3 kg) max.
<b>Pack count:</b>	2 units/carton



A division of:  
**ADAPTIVE TECHNOLOGIES GROUP**  
1635 E. Burnett Street  
Signal Hill, CA 90755 USA  
PH: 562.424.1100 FX: 562.424.3520

[www.allenproducts.com](http://www.allenproducts.com)

**WARNING: Mounting and/or suspension of audio and video equipment requires experienced professionals. Improperly installed equipment can result in property damage, personal injury and/or liability to the installing contractor.**

 **MADE IN THE USA**

**ALWAYS USE SAFETY CABLES.**