

FOR VERTICALLY-ORIENTED 4 HOLE PATTERN

MM-024



EAW JFX88 Loudspeaker shown

MultiMount™

Pan and Tilt Speaker Mount

This universal speaker mount supports loudspeakers weighing up to 60 lbs., quickly attaching them to walls, ceilings, overhangs, and other structural members. Speakers can be aimed and locked in almost any direction or angle through the use of independent pan, tilt, and swivel adjustments.

Tilt adjustments are made at the side of the speaker adapter plate. Panning adjustments are made at the mounting plate and a third rotation is available between the speaker and the support arm. This rotation is especially useful in directing sound from ceiling, cathedral ceilings and under balcony locations where mounting space is limited.

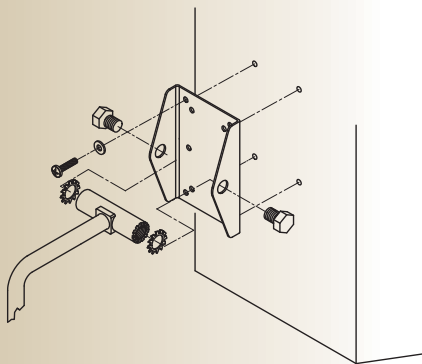
The MultiMount-24's unique arm acts as a convenient carrying handle to lift speakers into place then inserts into the mounting plate. Once inserted, the mounting plate does the job of handling all the weight, leaving the installers hands free to complete the wiring and positioning process.



SPECIFICATIONS:

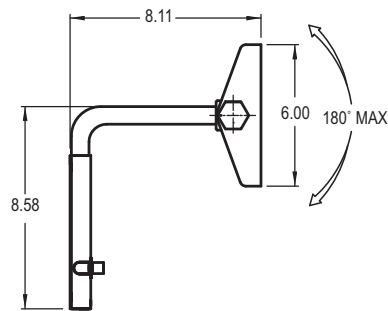
Material:	Structural steel alloy
Finish:	Powder coat
Colors:	Black
Tilt rotation:	180° max.
Swivel rotation:	140° max.
Working load limit:	60 lbs. (27.2 kg) max.
Design factor:	10:1 safety ratio
Net weight:	4 lbs. (1.8 kg.) each
Shipping Weight:	5 lbs. (2.3 kg.) each
Pack Count:	1 unit/carton

MULTI-MOUNT ASSEMBLY:

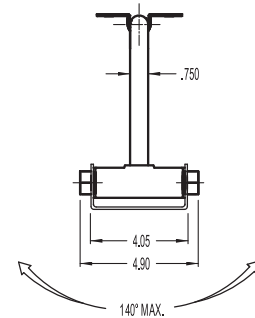


STANDARD FEATURES:

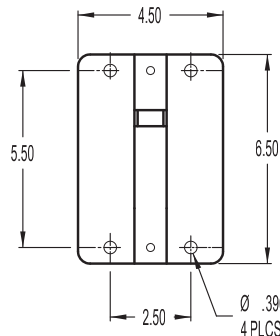
- Conforms to standard speaker mounting holes
- Independent pan and tilt controls
- Infinite locking adjustments
- No memory drift
- Single man speaker installations
- Optional safety cables available



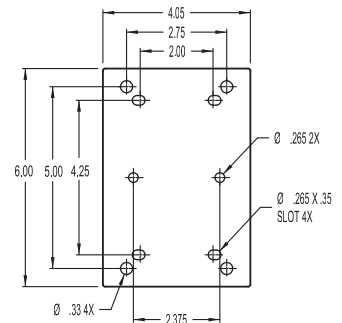
Side View



Top View



Mounting Plate



Speaker Adapter Plate

www.allenproducts.com

WARNING: Mounting and/or suspension loudspeakers requires experienced professionals. Improperly installed loudspeakers can result in property damage, personal injury and/or liability to the installing contractor.



A division of:
ADAPTIVE TECHNOLOGIES GROUP
 1635 E. Burnett Street
 Signal Hill, CA 90755 USA
 PH: 562.424.1100 FX: 562.424.3520