

Interlocking LCD Video Wall

TIME SAVING MODULAR FRAME SYSTEM FOR THE
NEC X461 AND X462UN 46" LCD MONITORS



Build nearly seamless video walls quickly and securely using Adaptive's modular LCD Framing System for NEC's X461 and X462UN 46" video monitors.

Precision-machined connecting bars and compression locks link multiple LCD frames precisely together, horizontally and vertically in both landscape or portrait orientations to create bigger than life images and presentations.

These interlocking modular frames assemble fast and easy and lock together into a grid. They install as one unit, up

to 10X10, providing a very predictable, fast and secure installation. These pre-engineered frames reduce substantial labor hours typically required to install and align multiple LCD screens, one screen at a time.

Once the frame is assembled and mounted to a structural wall capable of supporting the added load, LCDs are then lowered into slotted tracks. Disassembling video walls when used for temporary installations is just as easy by way of connecting bars.

Interlocking LCD Video Wall

TIME SAVING MODULAR FRAME SYSTEM FOR THE NEC X461 AND X462UN 46" LCD MONITORS

STEP 1



Assemble frames into desired configuration.

STEP 2



Install assembled frame work to a structural vertical surface.

STEP 3



Load LCDs into frames starting at bottom right.



Example of a landscaped-oriented configuration.



Example of a portrait-oriented configuration.



MVFS-X461-LB

Optional Lifting Block for use in lifting and replacing LCDs into road cases.

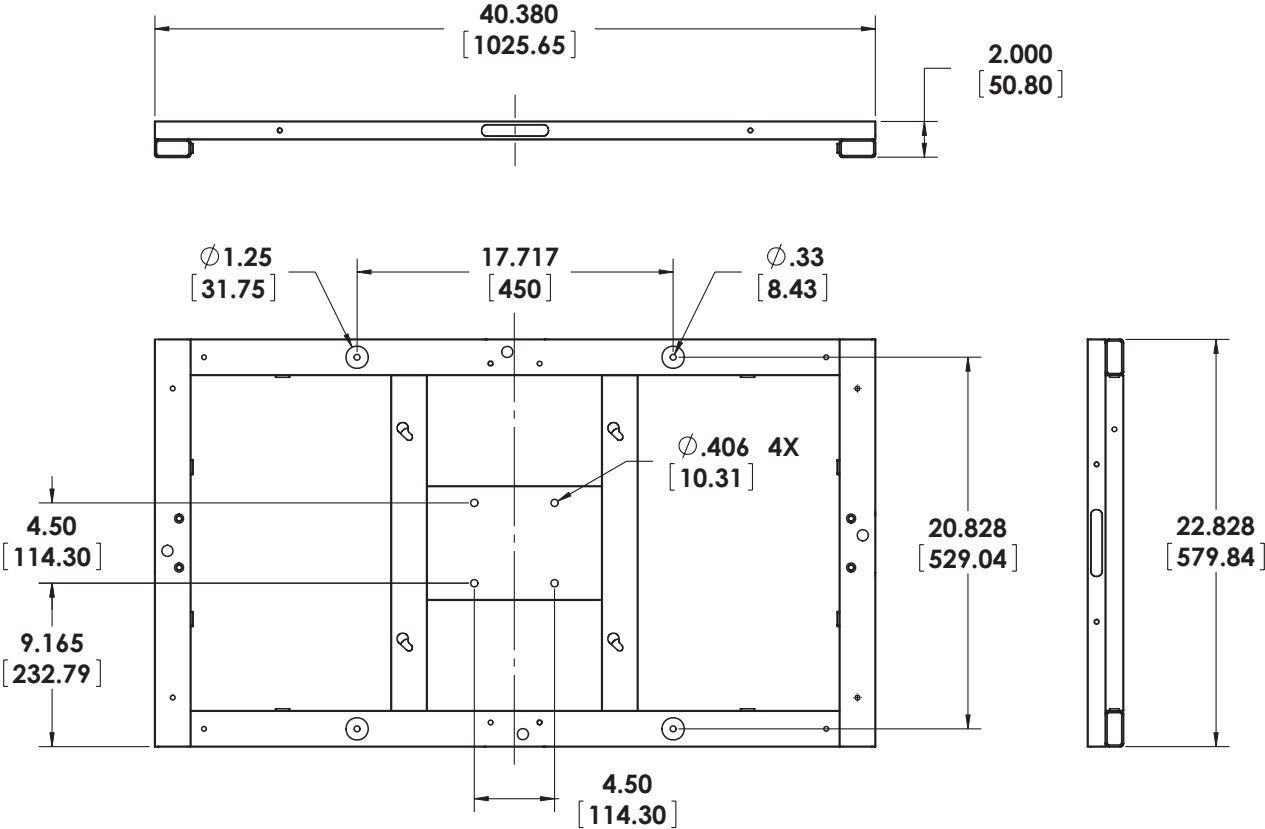
Features:

- Expands horizontally and vertically up to 10x10
- Framework attaches to wall as one unit for precise alignment
- Orients in landscape or portrait positioning
- Cam-style compression locks eliminate gaps for seamless viewing
- precision-machined connecting bars align multiple frames
- Rugged powder-coat in black over alloy steel welded frames
- Quick-release connecting pins for fast setups and teardowns

Interlocking LCD Video Wall

TIME SAVING MODULAR FRAME SYSTEM FOR THE NEC X461 AND X462UN 46" LCD MONITORS

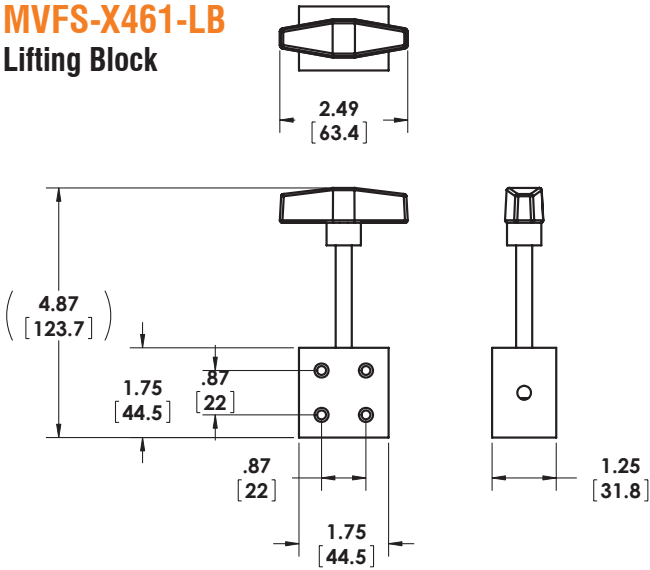
DIMENSIONS



MVFS-X461-T LCD Frame

- Working load:** 264 lb. / 120 Kg
- Design Factor:** 10:1 ratio
- Weight:** 34 lb / 15.4 Kg
- Shipping weight:** 36 lb / 16.4 Kg
- Pack Count:** One
- Material:** Steel alloy tubing and high strength aluminum connecting bars
- Finish:** Black powder coat paint finish
- Color:** Black

MVFS-X461-LB Lifting Block



WARNING: Mounting and/or suspension of audio and video equipment requires experienced professionals. Improperly installed equipment can result in property damage, personal injury and/or liability to the installing contractor.



ALWAYS USE SAFETY CABLES.

