

PF-200-STD

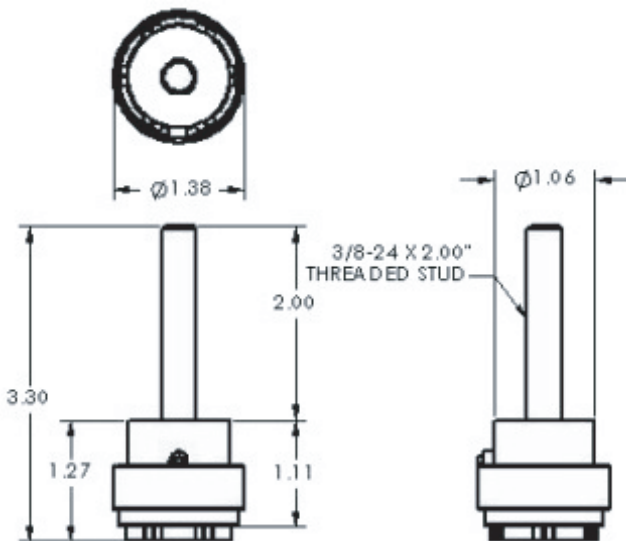
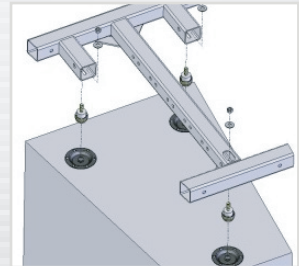
548 lb. WLL

2" JAW FITTING WITH THREADED STUD

PAN FITTINGS



Some rigging hardware must be attached with threaded fasteners, such as AMFS Truss Modules and BumperWare models. If the cabinet has recessed pans, use the 12-Jaw fitting with threaded studs to lock the frames firmly into place. This fitting raises the mounting plane by 1-1/16" and a locking style nut and washer is included. Its double redundant lock makes this an ideal lifting device for overhead suspension.



SPECIFICATIONS:

Diameter: 3.5"

Color: Black

Design Factor: 10:1 ratio

WLL: 548 lb / 249 Kg (VERTICAL)

230 lb/104.5 Kg (90 DEG. OFF VERTICAL)

ALWAYS INSTALL SAFETY CABLES

WARNING: Mounting and/or suspension loudspeakers requires experienced professionals. Improperly installed loudspeakers can result in property damage, personal injury and/or liability to the installing contractor.