

Rigging Chain Hitches

(2800 lb. WLL)

STRUCTURAL WELDED RIGGING CHAIN HITCHES

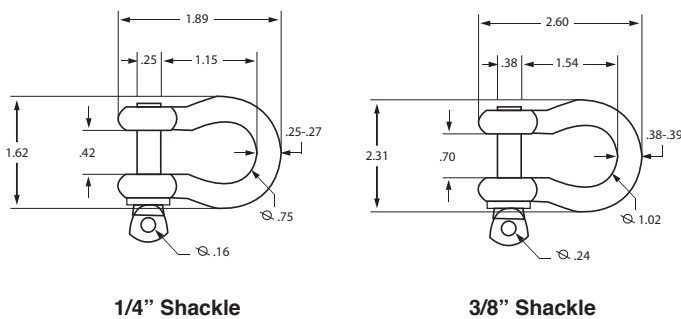
RIGGING CHAIN HITCHES



Rigging chain hitches produced from high strength alloy steel provide a load rated method of creating suspension points within a venue for spanning systems, such as wire rope assemblies and span sets chain motors, etc. There are three stock lengths from which to choose from and custom lengths are also available.

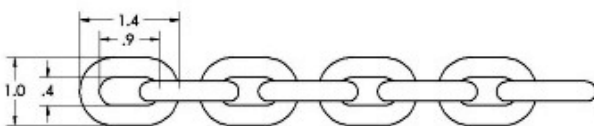
Each rigging chain kit provides a predictable way to span two points under load or for use in creating overhead hang points, such as bridling from structural beams, channels and trussing. Chain can make tighter bends than wire rope & span sets such as over beams and other structure shapes.

Many contractors additionally use burlap and other cushioning materials to pad the sharp corners to retain working load limits for chain.



SPECIFICATIONS:

- Materials:** Hi-Strength Alloy Steel
- Chain Grade:** 9/32", Grade 80
- Finish:** Raw
- Contents:** 2 pcs, SK-025 1/4" shackles and 1 pc. SK-375, 3/8" shackle.
- Design Factor:** 5:1
- WLL:** 2800 lb / 1272 Kg.



9/32 Grade 80 Rigging Chain

Part Number	Diameter	QTY links	Length
RC-0018	9/32", Grade 80	21 Links	18" / 457mm
RC-0024	9/32", Grade 80	27 Links	24" / 610mm
RC-0036	9/32", Grade 80	41 Links	36" / 914mm



Rated for indoor use.

ALWAYS INSTALL SAFETY CABLES

WARNING: Mounting and/or suspension of audio and video equipment requires experienced professionals. Improperly installed loudspeakers can result in property damage, personal injury and/or liability to the installing contractor.